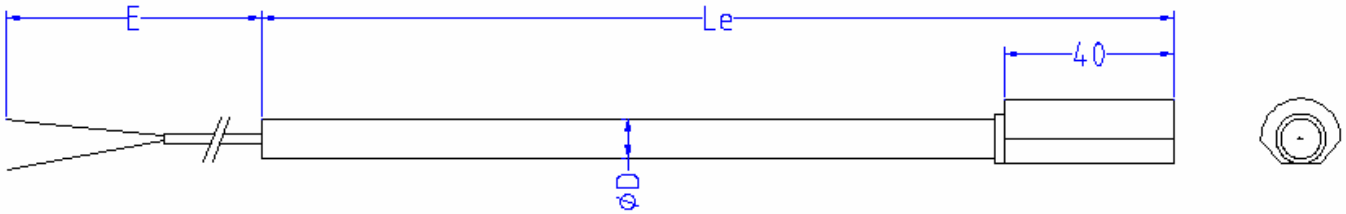
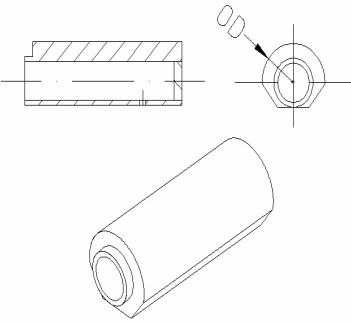


# BOILER AND FURNACE THERMOCOUPLE

## STRAIGHT WITH MACHINED TIP TS53 – TYPE WT



FEATURES		TECHNICAL SPECIFICATIONS										
<p>High quality thermocouple element with MgO mineral insulated metal sheathed cable, providing excellent stability and reproducibility. The correct choice of sheath material will strongly influence the stability and the life time of the thermocouples.</p> <p>The unique properties make this basic element ideally suited for a wide variety of applications up to 1200°C depending on thermocouple type and metal sheath.</p> <p>The thermocouple element is fully bendable.</p>		<ul style="list-style-type: none"> <li>Max. temperature depending on thermocouple type and metal sheath</li> <li>Minimum <math>R_{ins}</math> : 1000 M<math>\Omega</math> at 500 VDC, ambient</li> <li>Standard accuracy IEC 584 class 1</li> <li>Connection wire: ANSI / IEC / DIN</li> <li>With special tip for welding on process pipes</li> </ul>										
		<p>Thermocouple types</p> <p style="text-align: center;">K / N</p> <p>According to IEC 584</p>	<p><b>General purpose</b></p>									
ORDERING INFORMATION												
TC	K		K		K		K		N		N	
	NiCr – NiAl		NiCr – NiAl		NiCr – NiAl		NiCr – CuNi		NiCrSi – NiSi		NiCrSi – NiSi	
Sheath	M2110		M0601		M0809		M0001		M0809		M0001	
	AISI – 310		Inconel 600		Hastelloy X		HR160		Hastelloy X		HR160	
Diameter	3	3.2 1/8"	4.5	4.8	6	6.35 1/4"	8	9.53 3/8"	12.7 1/2"	Other on request		
	Hot junction	Individual isolated (I)			Common isolated (CI)			Grounded (G)				
Hot junction electrically isolated from and shielded by the sheath			Multiple hot junctions joined to one hot junction electrically isolated from and shielded by the sheath			Hot junction welded to the sheath						
Colour Code	ANSI		IEC		DIN							
	ANSI – MC96-1		IEC 584-1		DIN 43714							
Wire	M00		M01		M02		M03		<p><b>OPTIONS</b></p> <p>Overall stainless steel braiding</p>			
	PVC		Teflon <sup>®</sup>		Kapton <sup>®</sup>		Glass fiber					
	polyvinyl		extruded FEP		polyimide tape		resin impregnation					
	max. +105°C		max. +260°C		-80° +360°C		max. +480°C					
Transition	Stainless steel. Same diameter as Mi cable for OD >4.8 mm . Otherwise OD9.53 mm										<p><b>Other on request</b></p>	
	Standard potting compound: max. 120°C											

Weld on type											
<b>Specification</b>							-standard length 40 mm -standard OD : 3 x thermocouple OD -Material : same as thermocouple -option : other dimensions				

TC model	TC type	(S) Single (D) Dual (T) Triple	Diameter	Sheath	Hot junction	Le	Colour code	Wire	AWG	E	Options	
K	FD53	TC WT	S	D6.0	M0601	I	275	ANSI	M02	24	800	
	FD53	TC WT										

### Options

Code	Description	
<b>KK</b>	Adjustable compression fitting	Please indicate process thread
<b>PR</b>	Protection sleeve	Refrex® 1200 Braiding sleeving Alumina-Boria-Silica fiber retains strength and flexibility at continuous temperature up to 1100°C Refrex® 1400 Braiding sleeving Alumina-Boria-Silica fiber retains strength and flexibility at continuous temperature up to 1371°C Other on request
<b>WC#</b>	Welding clip + number	Same material as thermocouple sheath
<b>CON</b>	<b>STD</b>	No connection head
	<b>S10/S16-N110-E407</b>	Alu head hinged / Alu screwed type with nipple union nipple
	<b>S20/S26-N110-E407</b>	Alu head hinged / Alu screwed type with nipple lock nut
	<b>XXX</b>	Other on request
<b>CF</b>	Adjustable compression fitting	Mounted in union / nipple
<b>PSH</b>	Pre shaping of thermocouple	Specify the requested form
	<b>SDL / SDR</b>	Side entry down left / down right
	<b>SUL / SUR</b>	Side entry up left / up right
	<b>BDL / BDR</b>	Bottom entry down left / down right
	<b>TUL / TUR</b>	Top entry up left / up right
<b>HC</b>	Heath shield	Standard material SS310 . Other on request

### How to order

Process connection	Protection sleeve	Welding clips an N°	Connection head	Compression fitting	Pre shape	Form	Heath shield
KK 1/4"NPT	PR Refrex1200	WC-3	STD	CF	PSH	BDL	000