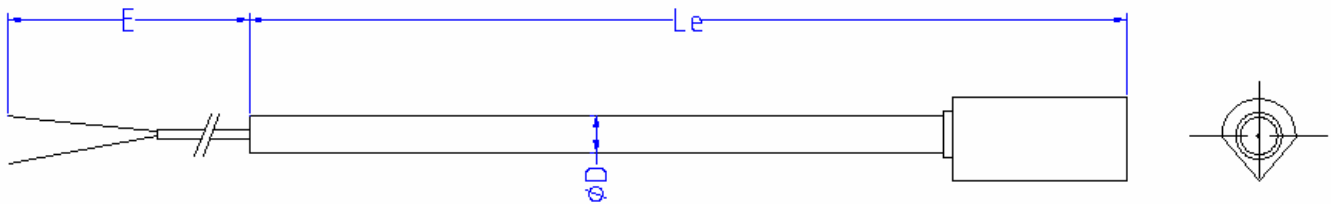
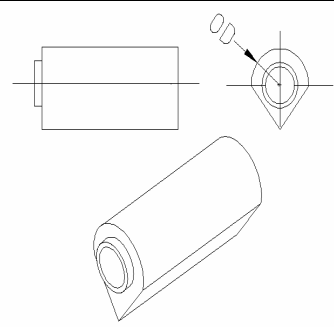


BOILER AND FURNACE THERMOCOUPLE

STRAIGHT WITH MACHINED POINTER TIP TS54 – TYPE WT



| FEATURES | | TECHNICAL SPECIFICATIONS | | | | | | | | | | |
|--|--|---|--------------|---|----------------|--------------|-----------------------------------|--------------|---|------------------|---------------|--|
| <p>High quality thermocouple element with MgO mineral insulated metal sheathed cable, providing excellent stability and reproducibility. The correct choice of sheath material will strongly influence the stability and the life time of the thermocouples.</p> <p>The unique properties make this basic element ideally suited for a wide variety of applications up to 1200°C depending on thermocouple type and metal sheath.</p> <p>The thermocouple element is fully bendable.</p> | | <ul style="list-style-type: none"> Max. temperature depending on thermocouple type and metal sheath Minimum R_{ins} : 1000 MΩ at 500 VDC, ambient Standard accuracy IEC 584 class 1 Connection wire: ANSI / IEC / DIN With special tip for welding on process pipes | | | | | | | | | | |
| | | Thermocouple types K / N According to IEC 584 | | General purpose | | | | | | | | |
| ORDERING INFORMATION | | | | | | | | | | | | |
| TC | K | | K | | K | | K | | N | | N | |
| | NiCr – NiAl | | NiCr – NiAl | | NiCr – NiAl | | NiCr – CuNi | | NiCrSi – NiSi | | NiCrSi – NiSi | |
| Sheath | M2110 | | M0601 | | M0809 | | M0001 | | M0809 | | M0001 | |
| | AISI – 310 | | Inconel 600 | | Hastelloy X | | HR160 | | Hastelloy X | | HR160 | |
| Diameter | 3 | 3.2 1/8" | 4.5 | 4.8 | 6 | 6.35 1/4" | 8 | 9.53 3/8" | 12.7 1/2" | Other on request | | |
| Hot junction | Individual isolated (I) | | | Common isolated (CI) | | | Grounded (G) | | | | | |
| | Hot junction electrically isolated from and shielded by the sheath | | | Multiple hot junctions joined to one hot junction electrically isolated from and shielded by the sheath | | | Hot junction welded to the sheath | | | | | |
| Colour Code | ANSI | | IEC | | DIN | | | | | | | |
| | ANSI – MC96-1 | | IEC 584-1 | | DIN 43714 | | | | | | | |
| Wire | M00 | | M01 | | M02 | | M03 | | OPTIONS Overall stainless steel braiding | | | |
| | PVC | | Teflon® | | Kapton® | | Glass fiber | | | | | |
| | polyvinyl | | extruded FEP | | polyimide tape | | resin impregnation | | | | | |
| Transition | max. +105°C | | max. +260°C | | -80° +360°C | | max. +480°C | | | | | |
| | Stainless steel. Same diameter as Mi cable for OD >4.8 mm . Otherwise OD9.53 mm Standard potting compound: max. 120°C | | | | | | | | | Other on request | | |

| Weld on type | |
|----------------------|--|
| Specification |  <p>-standard length 40 mm -standard OD : 3 x thermocouple OD -Material : same as thermocouple -option : other dimensions</p> |

| TC model | TC type | (S) Single (D) Dual (T) Triple | Diameter | Sheath | Hot junction | Le | Colour code | Wire | AWG | E | Options | |
|----------|---------|--------------------------------------|----------|--------|--------------|----|-------------|------|-----|----|---------|--|
| K | FD54 | TC WT | S | D6.0 | M0601 | I | 275 | ANSI | M02 | 24 | 800 | |
| | FD54 | TC WT | | | | | | | | | | |

Options

| Code | Description | |
|------------|--------------------------------|--|
| KK | Adjustable compression fitting | Please indicate process thread |
| PR | Protection sleeve | Refrex® 1200 Braiding sleeving Alumina-Boria-Silica fiber retains strength and flexibility at continuous temperature up to 1100°C Refrex® 1400 Braiding sleeving Alumina-Boria-Silica fiber retains strength and flexibility at continuous temperature up to 1371°C Other on request |
| WC# | Welding clip + number | Same material as thermocouple sheath |
| CON | STD | No connection head |
| | S10/S16-N110-E407 | Alu head hinged / Alu screwed type with nipple union nipple |
| | S20/S26-N110-E407 | Alu head hinged / Alu screwed type with nipple lock nut |
| | XXX | Other on request |
| CF | Adjustable compression fitting | Mounted in union / nipple |
| PSH | Pre shaping of thermocouple | Specify the requested form |
| | SDL / SDR | Side entry down left / down right |
| | SUL / SUR | Side entry up left / up right |
| | BDL / BDR | Bottom entry down left / down right |
| | TUL / TUR | Top entry up left / up right |
| HC | Heath shield | Standard material SS310 . Other on request |

| How to order | | | | | | | |
|--------------------|-------------------|---------------------|-----------------|---------------------|-----------|------|--------------|
| Process connection | Protection sleeve | Welding clips an N° | Connection head | Compression fitting | Pre shape | Form | Heath shield |
| KK 1/4"NPT | PR Refrex1200 | WC-3 | STD | CF | PSH | BDL | 000 |