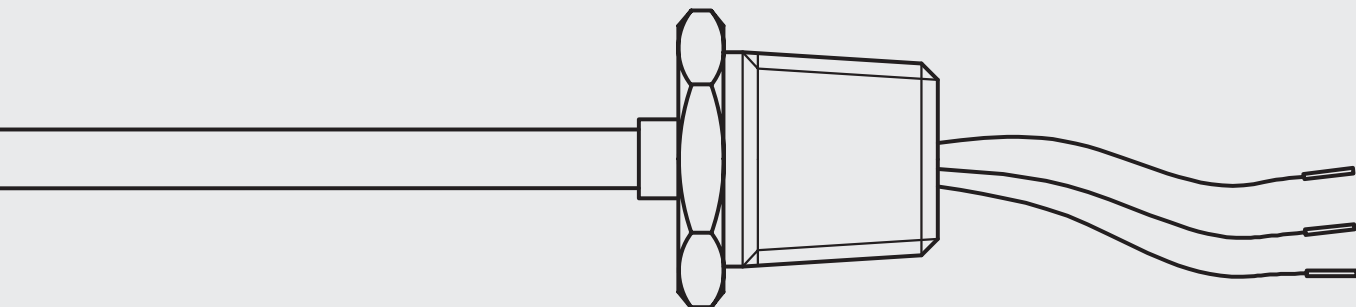


# Industrial resistance thermometer

FLYING LEADS

**PJA-PJB**  
CONFIGURATIONS

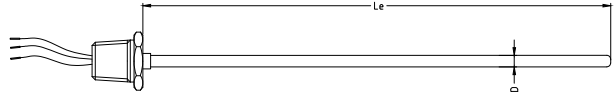
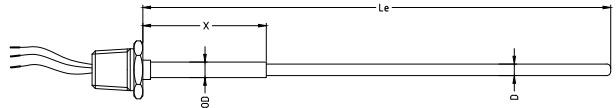
**General use RTD**



**RODAX**<sup>o</sup>  
new temperature solutions

Product series PT100WT

**Table 1: Measuring inserts main models**

	Sensor	
<b>PJA</b>	Sensor with threaded connection to the connection head.  2/3/4/6 or 8 lead wires	
<b>PJB</b>	Reinforced sensor with threaded connection to the connection head.  2/3/4/6 or 8 lead wires	

### Features assembly

High quality resistance temperature element with MgO mineral insulated metal sheathed cable, providing excellent stability and reproducibility.

The unique properties make this basic element ideally suited for a wide range of applications up to 550 °C.

The PT100 is bendable over the total length except on the tip over 50 mm. High vibration resistant models are available.

**Table 2: Measuring inserts details**

### Details

- Maximum temperature: 550 °C
- Minimum insulation resistance: 1000 MOhm at 500VDC, T<sub>amb</sub>=20 °C
- Conductors: material Cu
- Metal sheath: SS321 / 1.4541

### PT100 element

S	D	Option	HV
Single	Double		High vibration

### Diameter ØD

D3	D3,2	D4,5	D4,8	D6	D6,35	D8	D9,53	D12,7	Other diameters on request
3,0 mm	3,2 mm	4,5 mm	4,8 mm	6,0 mm	6,35 mm	8,0 mm	9,53 mm	12,7 mm	

## Electrical connection

<b>W2</b>	<b>W3</b>	<b>W4 (*)</b>	(*) for OD 3 mm: dual sensors max 2x3 wire
2 wire	3 wire	4 wire	

## Accuracy

<b>A1</b>	<b>A3</b>	<b>A5</b>	<b>A6</b>	<b>A10</b>	Other accuracies on request
Class A IEC EN 60751 $\pm(0.15+0.002 t )^{\circ}\text{C}$	1/3 DIN 1/3 class B	1/5 DIN 1/5 class B	1/6 DIN 1/6 class B	1/10 DIN 1/10 class B	

## Connection head

<b>P405</b>	<b>P406</b>	<b>P193</b>	<b>P205</b>
1/2"NPT	3/4"NPT	M24 x 1.5	G1/2"

## Dimensions reinforcement

<b>OD reinforcement</b>		<b>X</b>
<b>STD</b>	<b>... mm</b>	<b>X</b>
Same as sensor	Reinforced	Length in mm (Model PJB only)

## Table 3: Certification possibilities

### Certificates

Following tests and certificates are possible and are either done in-house or done by an external party.

Code	Certificates
<b>Q04210</b>	Functional test report sensor
<b>Q04230</b>	Calibration report (measuring points to be indicated) E.g. 0/100 °C
<b>Q05220</b>	Calibration report by accredited calibration lab retraceable (measuring points to be indicated)
<b>Q05230</b>	Calibration report by accredited calibration lab ISO/IEC 17025 (BELAC) (measuring points to be indicated)
<b>Q02040</b>	Test report EN10204-2.2

## HOW TO ORDER (example)

Code		Example	Your code
<b>Main model</b>	See table 1	PJA	
<b>Pt100 element</b>	See table 2	S	
<b>Diameter ØD</b>	See table 2	D6	
<b>Electrical connection</b>	See table 2	W3	
<b>Accuracy</b>	See table 2	A1	
<b>Connection head</b>	See table 2	P405	
<b>Dimensions reinforcement</b>	See table 2	OD12	
<b>X length reinforcement</b>	In mm	X40	
<b>Insertion length Le</b>	In mm	Le150	

Ordering code example:

PJA S D6 W3 A1 P405 OD12 X40 Le150

**For all options: please contact Rodax**

© 2018

Santvoortbeeklaan 33, 2100 Antwerp - Belgium

T +32 (0)3 360 90 00

E [quotationdesk@rodax-europe.com](mailto:quotationdesk@rodax-europe.com)

[www.rodax-europe.com](http://www.rodax-europe.com)

**RODAX**<sup>®</sup>  
new temperature solutions

All information contained herein is intended for guidance purposes only, and characteristics of the products and certification described in this publication can be changed at any time without notice. Products and certification may not be available for your local area. Please contact your local sales representative for availability information. RODAX NV diligently strives to provide as accurate information as possible, but shall not be responsible for any typographical error.

**PJ-Gen-RTD GB 201901**