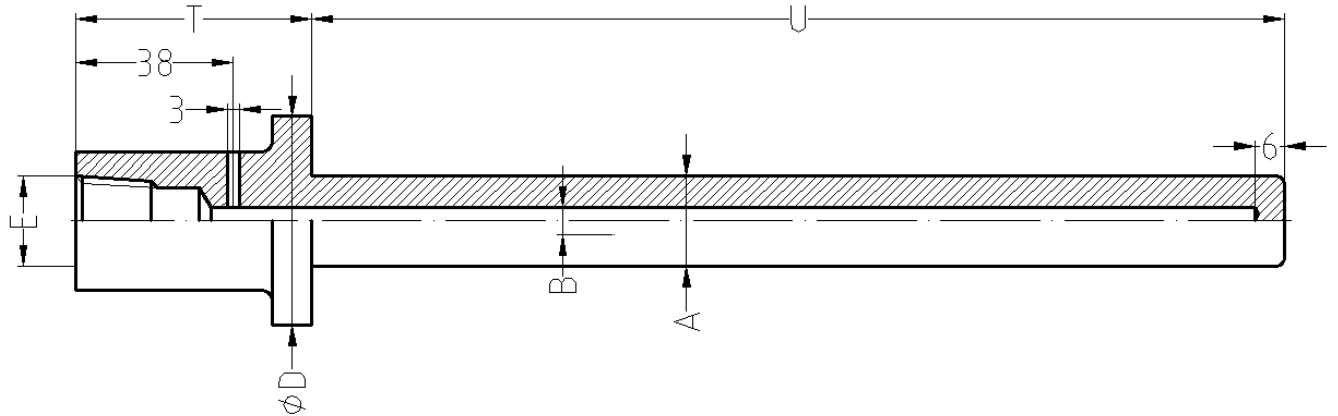
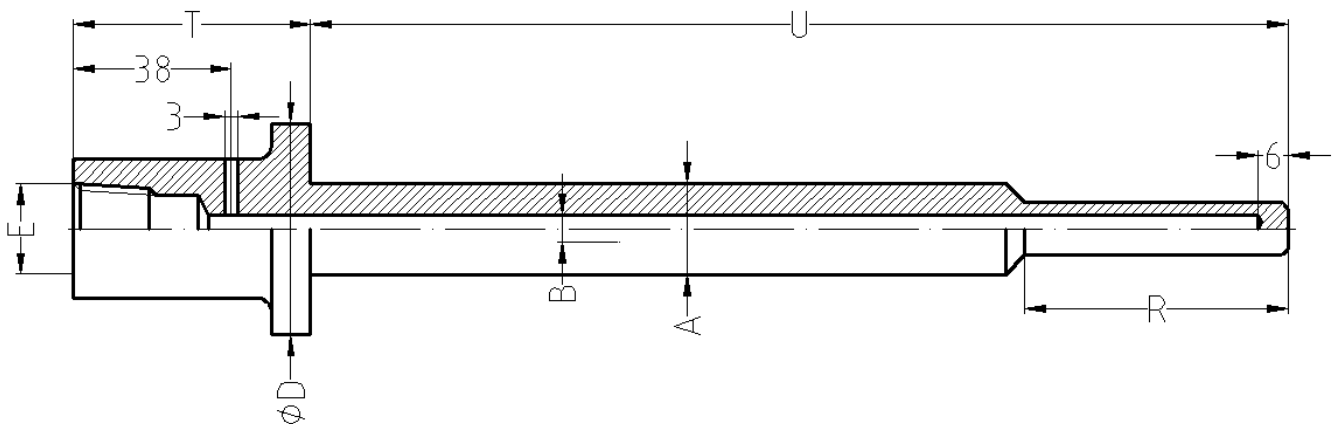


## DRILLED BAR STOCK THERMOWELL BORED – VAN STONE – STRAIGHT

### BVS (Bored Van Stone Straight)



### BVSR (Bored Van Stone Straight Reduced)



### Features

Our thermowells are machined and drilled from solid bar stock. This results in a non-welded unit. High accuracy machines are used to ensure concentricity of the bore with respect to the outside diameter and a consistent wall thickness over the full length of the thermowell. Our bar stock thermowells with straight stem have been designed for various fluids and pressure applications. Metric and fractional connections.

Technical specifications	
-	Tolerances : all dimensions +/- 1 mm except B : +/- 0.15 mm
-	Standard finish $1.6 < Ra < 3.2 \mu$
-	Vent hole D 3 mm
-	T standard 57 mm. Other lengths on request
-	Material : wide range of materials available as per DIN 10088 /AISI-ASTM and many others
-	Reduced tip : OD 12 mm over length R in mm

ORDERING INFORMATION												
Materials	<b>M2101</b>	<b>M2103</b>	<b>M2108</b>	<b>M2118</b>	<b>M0601</b>	<b>M0703</b>	<b>M0803</b>					
	SS304L	SS321	SS316L	SS310S	Inconel 600	Incoloy 800HT	Hastelloy C22					
	1.4307	1.4541	1.4404/1.4435	1.4845	2.4816	1.4959	2.4605					
STANDARD DIMENSIONS												
<b>D flange</b>		<b>Backing flange</b>		<b>A</b>	<b>B</b>	<b>Flange thickness</b>	<b>Extension diam.</b>					
2"	50 mm	1"		22 mm (7/8")	6.5 mm (1/4")	9.53 (3/8")	1.315"	33.4				
2 7/8"	73 mm	1 1/2"					1.900"	48.3				
3 5/8"	92 mm	2"					2.394"	60.8				
Instrument Connection	<b>E205</b>	<b>E405</b>	Other				Domed Tip: 					
	1/2" G	1/2" NPT										
Bore	6.5	7										
Options	Ra	Domed tip										
	Indicate value stem	DT										
CF: Cover Flanges according ANSI B16.5 type Lap joint												
<b>Pressure rating</b> [lbs/inch <sup>2</sup> ]	<b>1</b>	150#	<b>2</b>	300#	<b>3</b>	600#	<b>4</b>	900#	<b>5</b>	1500		
<b>Nominal size (NPS)</b>	<b>07</b>	1"	<b>09</b>	1 1/2"	<b>10</b>	2"	<b>11</b>	2 1/2"	<b>12</b>	3"		
Materials	<b>M2101</b>	<b>M2108</b>	<b>M2502</b>									
	SS304L	SS316L	A105									
	1.4307	1.4541	1.0432									

Code	Certificates
Q701MC	Material certificate En10204-3.1
Q625ND	External pressure test report (liquid)
Q610ND	Internal pressure test report (liquid)
Q665NT	PMI testing after construction by third party
Q820CC	Test report EN10204-2.2
Q120ED	Wake frequency calculation on process condition

HOW TO ORDER (example)			
Code	Description	Example	Your code
<b>Type</b>	Thermowell type	BVS	
<b>Material</b>	Thermowell material SS316L	M2108	
<b>D Flange</b>	Diameter flange part 50 mm	D50	
<b>Instrument connection</b>	Connection for the instrument ½"NPT	E405	
<b>B</b>	Bore diameter 6.5 mm	B6.5	
<b>U</b>	Length under process thread (R included)	U150	
<b>R</b>	Reduced tip length in mm if required		
<b>T</b>	Length top to process standard 57 mm	T57	
<b>A</b>	Stem diameter 22 mm	A22	
<b>Options</b>	Domed tip	DT	
<b>Cover Flange</b>	2"-150 lbs in SS316L	CF110 M2108	
<b>Q701MC</b>	Material certificate EN10204-3.1	Q701MC	

Ordering example

BVS M2108 D50 E405 B6.5 U150 T57 A22 DT F110 M2108 Q701MC

**For all options: please contact Rodax**